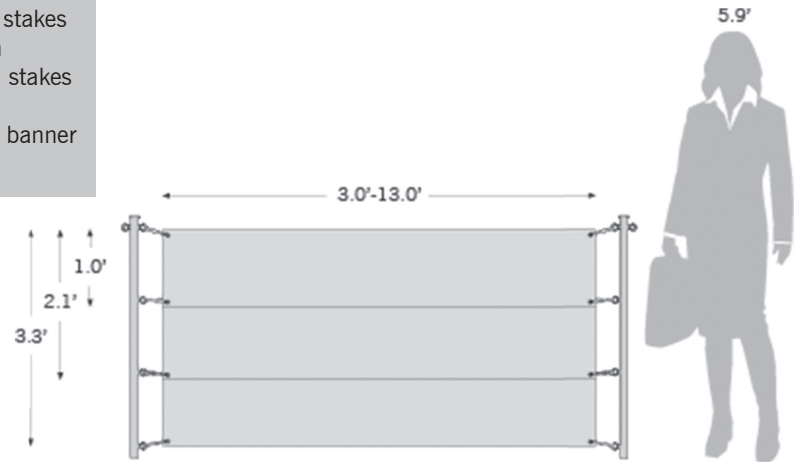
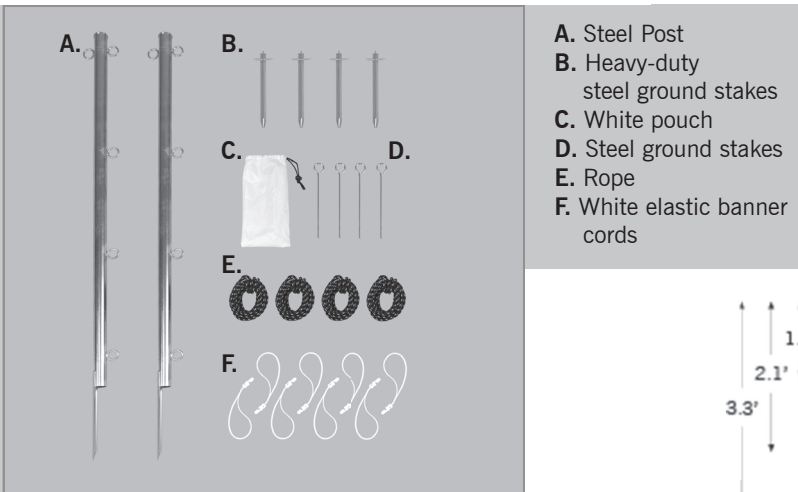
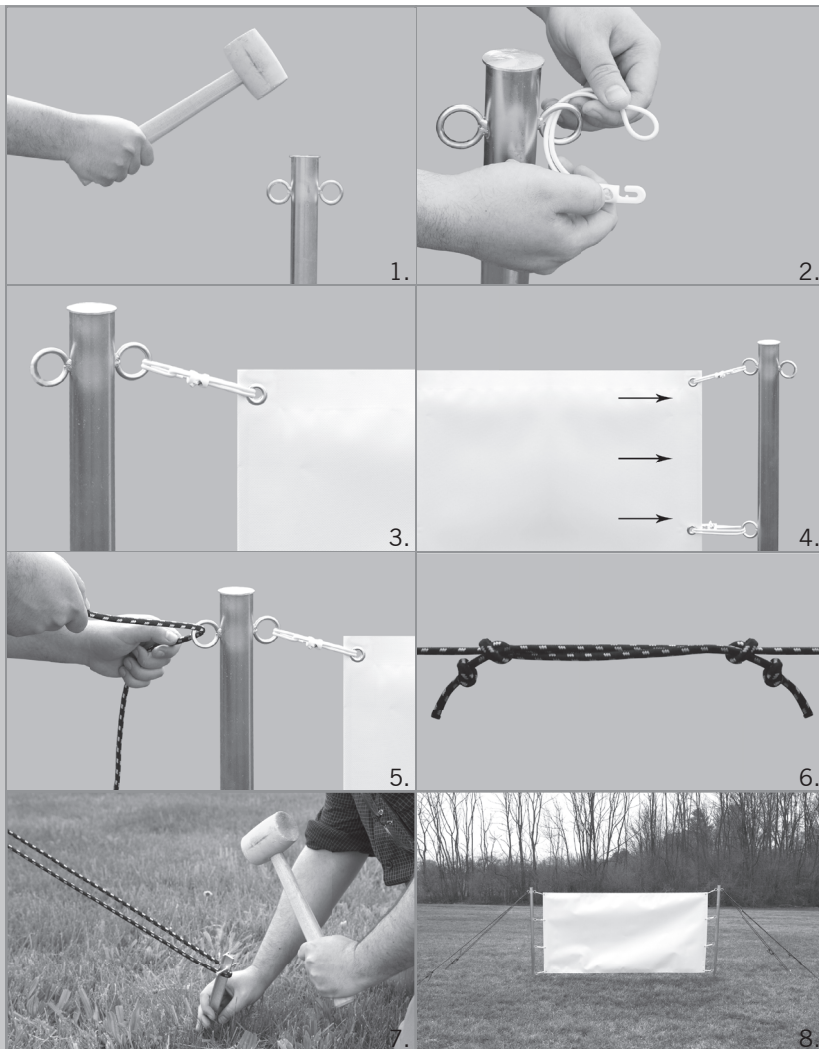


ASSEMBLY HARDWARE



ASSEMBLY



NOTE: It's recommended the print be laid on top of a moisture-proof surface to protect the print from staining during assembly.

1. Insert a post (A) into the ground by striking it with a rubber mallet or hammer. Note: when using a hammer it is recommended you place a buffer like a wood block or cloth on the top of the post for protection.
- 2-3. Feed a white elastic banner cord (F) through both the top open ring of the steel post and the top grommet of the banner and attach it to its plastic hook. Repeat for remaining grommets.
4. Stretch the print to determine the spatial installation of the second post. Before inserting the second post, detach the print from the post. Repeat Step 1 to erect the post and Step 2-3 to reattach the print.
- 5-6. Attach 2 ropes (E) to each of the outer open rings on the posts. Thread the rope through until you have equal lengths on each side. Tie a knot about 20 inches in from each end. Feed one end of the rope through the knot of the other by loosening the knots. Once fed through, tie a knot about 7.5 inches from the end of each rope. Repeat for remaining ropes.
- 7-8. Stretch the ropes out until they are taut and secure them to the stakes (B). Stakes should be hammered into the ground at an angle.

NOTE: This product is made for use only on soft ground. Attempting to mount the product into solid surfaces may damage the product and void any warranties.

DISCLAIMER: Do not display this banner in wind gusts exceeding 20-25mph and/or thunderstorms. Fasten with ground stakes for security and mark area to avoid tripping over rope and stakes. Allow a 5' radius from display for clearance. Attempting to mount product into solid surfaces may damage the product. User must read and observe assembly instructions. If this is not done correctly, it may result in damage to the unit, injury or death, and all warranties will be void. All warranties will be void if this product is used with any banner or hardware not produced by us.

