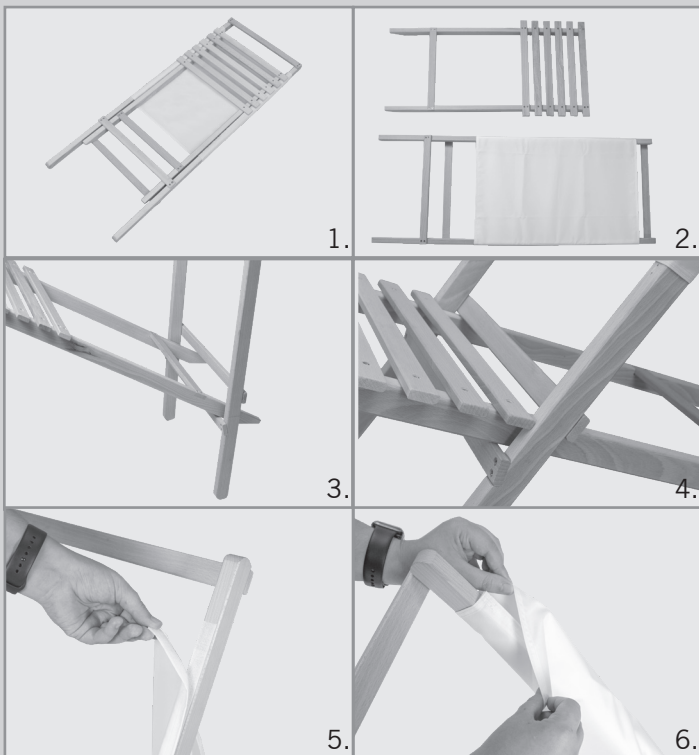


ASSEMBLY HARDWARE



ASSEMBLY

Kid's Chair



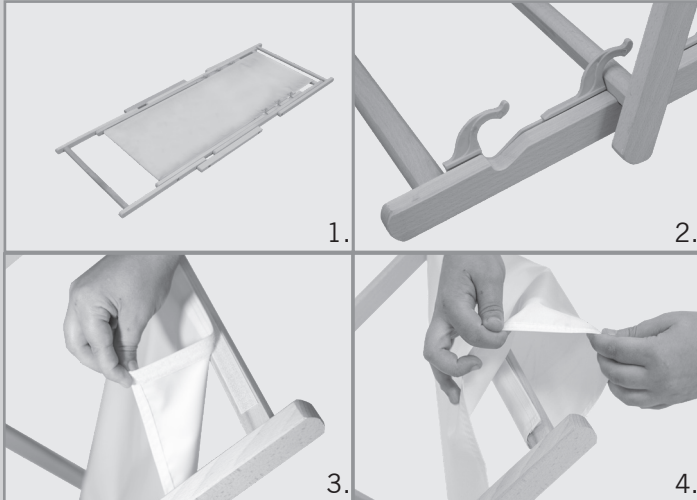
1. Chair stores flat for storage and packing.
2. Chair consists of 2 parts, the seat frame and the backrest frame.
3. Slide the seat frame into the small rectangular frame opening near the bottom of the backrest frame.
4. Ensure the seat is settled into place: the back end of the seat should be touching the ground.
5. Attach print to the chair by connecting the loop fastener of the print to the hook fastener on the chair.
6. Wrap the print around the stile of the chair to secure the previously made hook-and-loop connection and repeat for the other side. First, wrap the print around the frame and then connect the hook-and-loop fastener.

* Maximum load: 150.0lb

DISCLAIMER: User must read and observe assembly instructions. If this is not done correctly it may result in damage to the unit, injury, or death, and all warranties will be void. All warranties will be void if this product is used with any print or hardware not produced by us. Do not stand on chair. Do not place a direct heat source on or near the chair. Keep clear of moving parts. Keep all chair feet on the floor during use. Do not lean onto two chair legs. Watch out for pinch points when folding/unfolding chair. Do not use if chair has visible structure damage. Maximum loads are as follows: Director Chair: 225.0lb. Pull seat up before folding the chair, Beach Chair: 150.0lb, Aluminum Deck Chair, Deck Chair with Arms: 200.0lb.



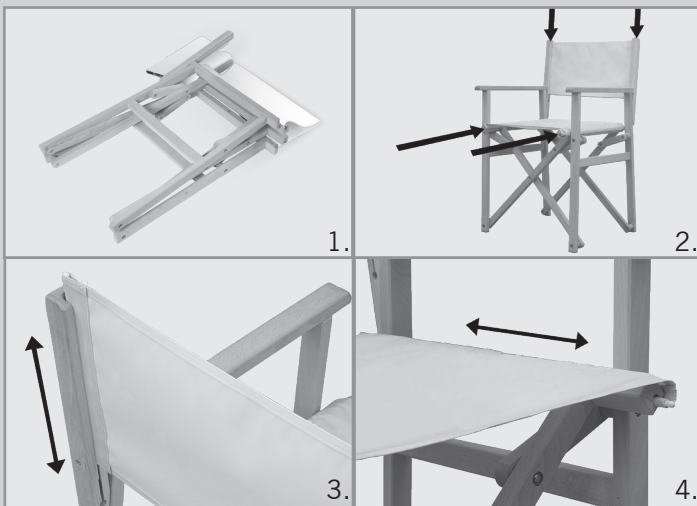
Chair With Arm Rest



1. Chair folds flat for storage and packing.
2. Lift the chair back to slot it into the bottom of the chair at desired height.
3. Attach print to the chair using the hook-and-loop fastener strip along the top.
4. Wrap the print around the top of the frame to secure and repeat for the bottom. First, wrap print around frame and then attach hook-and-loop fastener. Pull tight.

* Maximum load: 200.0lb

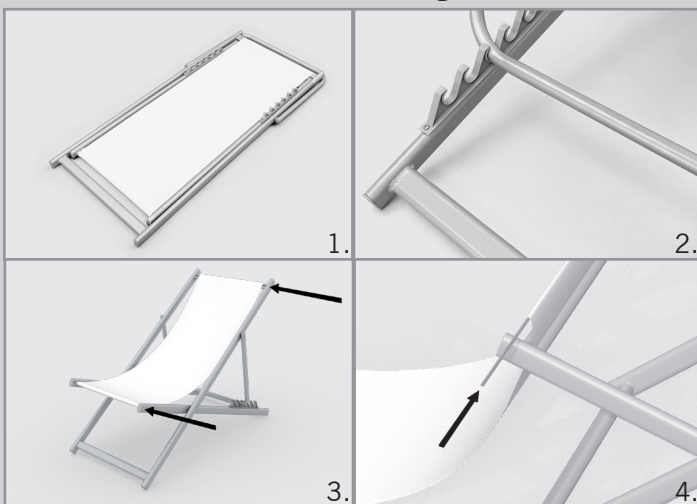
Promotional Director's Chair



1. Chair folds flat for storage and packing. Pull out seat and backrest print when folding flat to not damage print.
2. Pull the chair open until everything locks into place. Rods inserted into frame are marked with arrows.
3. Slide backrest rods upward to remove print from chair. Turn print around and slide back in for a different look or put rods into new print and slide back in to exchange print.
4. Remove seat by pulling out the rods on both sides. Put rods into new print to exchange and then fold over seat rail and slide rods back into chair frame.

* Maximum load: 225.0lb

Promotional Aluminum Folding Chair



1. Chair folds flat for storage and packing.
2. Lift the chair back to slot it into the bottom of the chair at the desired height.
3. Print is held in place by 2 aluminum poles at the top and bottom of chair that are marked with arrows.
4. Fold print over the frame at the bottom of the chair and feed print through frame opening, then slide in pole and pull tight. Pole will rest on the small frame opening and secure print. Repeat for the other side of the chair.

* Maximum load: 200.0lb

DISCLAIMER: User must read and observe assembly instructions. If this is not done correctly it may result in damage to the unit, injury, or death, and all warranties will be void. All warranties will be void if this product is used with any print or hardware not produced by us. Do not stand on chair. Do not place a direct heat source on or near the chair. Keep clear of moving parts. Keep all chair feet on the floor during use. Do not lean onto two chair legs. Watch out for pinch points when folding/unfolding chair. Do not use if chair has visible structure damage. Maximum loads are as follows: Director Chair: 225.0lb. Pull seat up before folding the chair, Beach Chair: 150.0lb, Aluminum Deck Chair, Deck Chair with Arms: 200.0lb.

