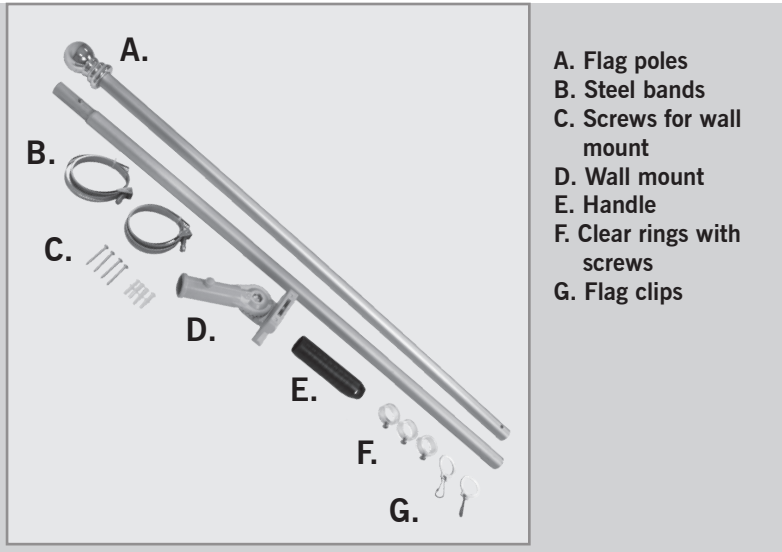


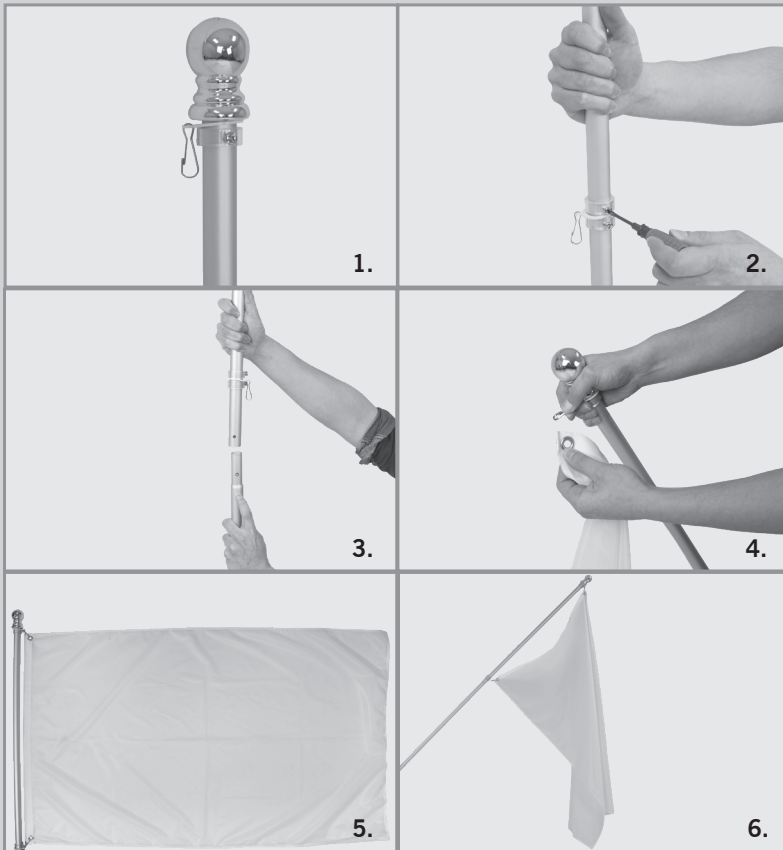
ASSEMBLY HARDWARE



- A. Flag poles
- B. Steel bands
- C. Screws for wall mount
- D. Wall mount
- E. Handle
- F. Clear rings with screws
- G. Flag clips



POLE & FLAG ASSEMBLY



1. Begin by sliding the flag clip onto the flagpole, followed by a clear ring with screw. Tighten the clear ring to the flagpole, but leave enough space so that the flag clip has room to rotate.

2. Slide the second clear ring with screw up the bottom of the flagpole. Space out the second ring so that it is equal to the height of the flag, and then move it up the pole approximately 2 inches. Once the bottom clear ring is in place, follow it with the second flag clip, and then enclose it with the third clear ring. Screw the clear rings into place.

3. Connect the two flag poles together. The button will click into place when fully connected.

4. Attach the flag to the flag clips by snapping the clips into the grommets.

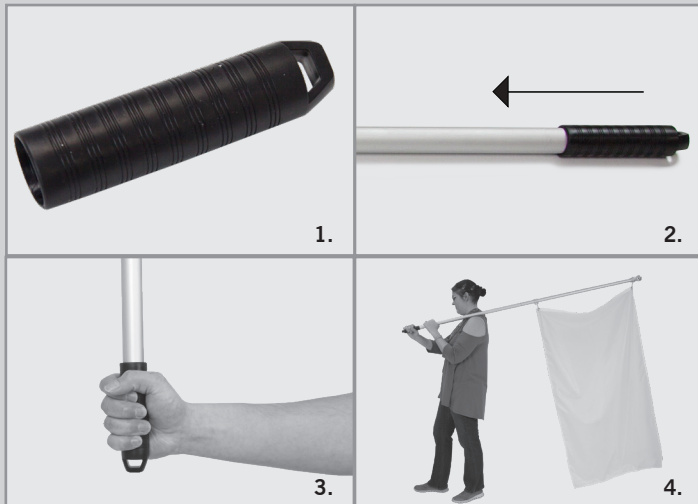
5. Ensure the flag has enough space to lay flat and is not bunched up by a lack of space between the flag clips.

6. Flag & pole assembly is now complete! Move on to the next page to view further assembly instructions.

6FT FLAGPOLE

Assembly Instructions | R1.072618

HAND HELD ASSEMBLY



1. Locate the black flagpole handle.
2. Attach the handle to the flagpole by pushing it onto the pole until it fits snugly.
3. Grip flagpole handle tightly to ensure snug fit.
4. Carry flagpole with two hands when transporting.

WALL MOUNT ASSEMBLY



1. Gather flagpole wall mount and screws.
2. Screw wall mount into place with one screw in all four corners.
3. Insert the flagpole into the wall mount.
4. Adjust the angle of the flag pole.

POLE MOUNT ASSEMBLY



1. Put the steel bands through the flag pole mount and around the pole the flag pole is being mounted to.
2. Tighten the screws on the steel bands.