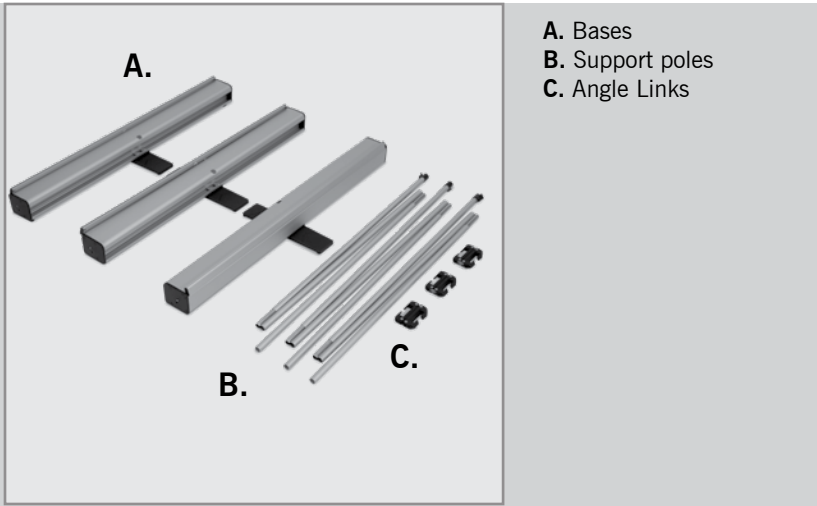
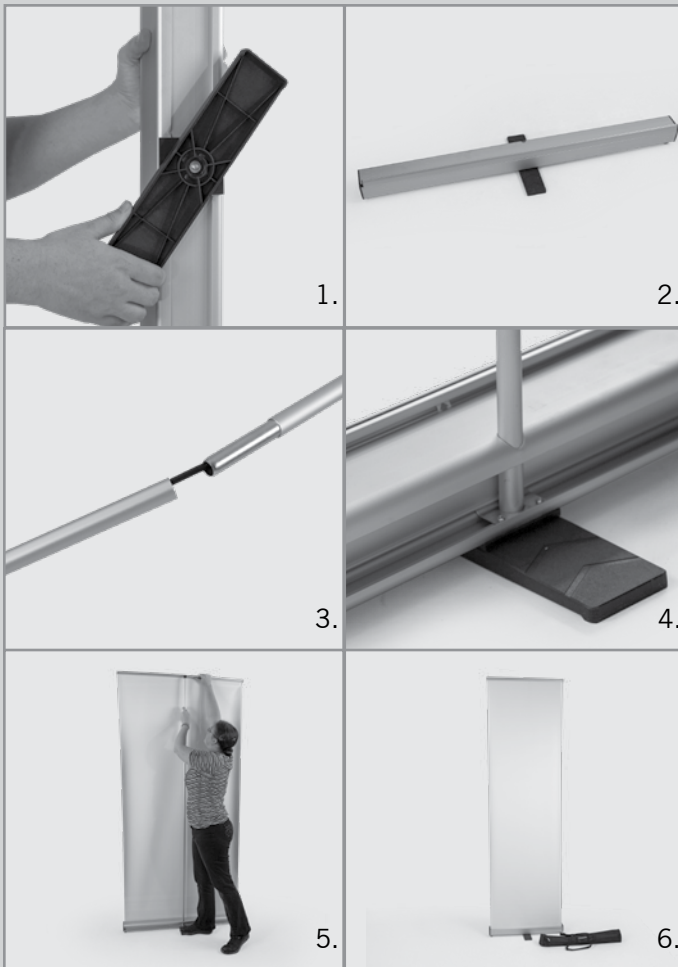


## ASSEMBLY HARDWARE

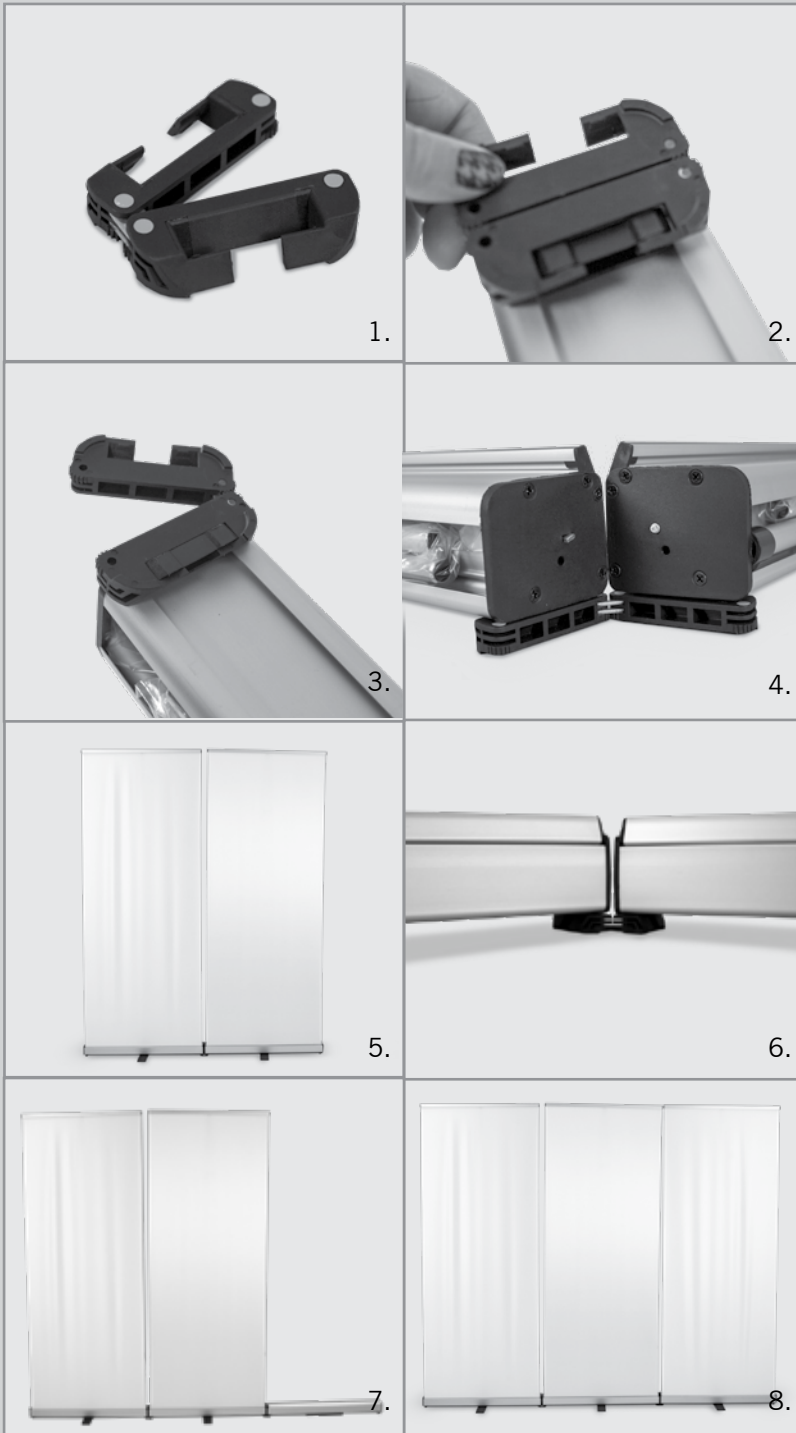


## ASSEMBLY FOR SINGLE BANNER STAND



1. Fold out stabilizing foot on the banner stand until it locks into place.
2. Set the banner stand on the ground upright.
3. Assemble the support pole by connecting the segmented pole sections.
4. Slide the support pole through the hole on the back of the base and place it into the slot at the bottom of the base.
5. With clean footwear, step on the folded-out foot and pull the up until it meets the clamping rail. Connect the clamping rail to the support pole by sliding the lip of the rail (in the center) over the end of the support pole.
6. Your retractable banner stand is now assembled.

## ANGLE LINK & WALL ASSEMBLY



1. Angle link can attach to retractable banner stand either open or closed.
2. Click the angle link to the bottom of the banner stand.
3. If angle link is closed when attached to the first banner stand, open it up to connect the second banner stand.
4. To do this, line up the bottom of the second banner stand and gently push down to connect it to the other side of the link.
5. Once both banner stands are connected, push them together to make a straight line.
6. If adding more banners to the wall, repeat the steps above.
7. After the final banner stand is attached and straightened out, assemble each banner stand by pulling the banners out of the bases and attaching to the support poles. See instructions on page 1.
8. The retractable banner stand wall is ready to use.