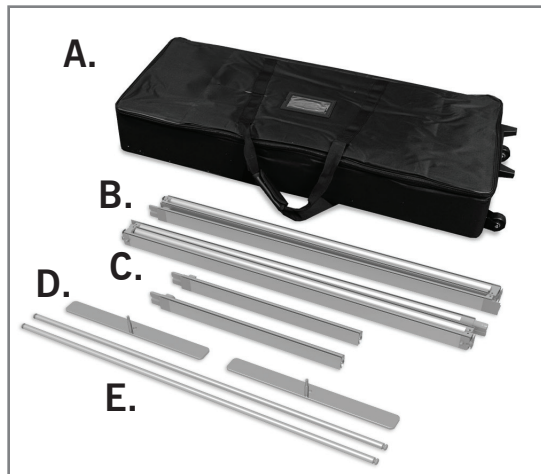


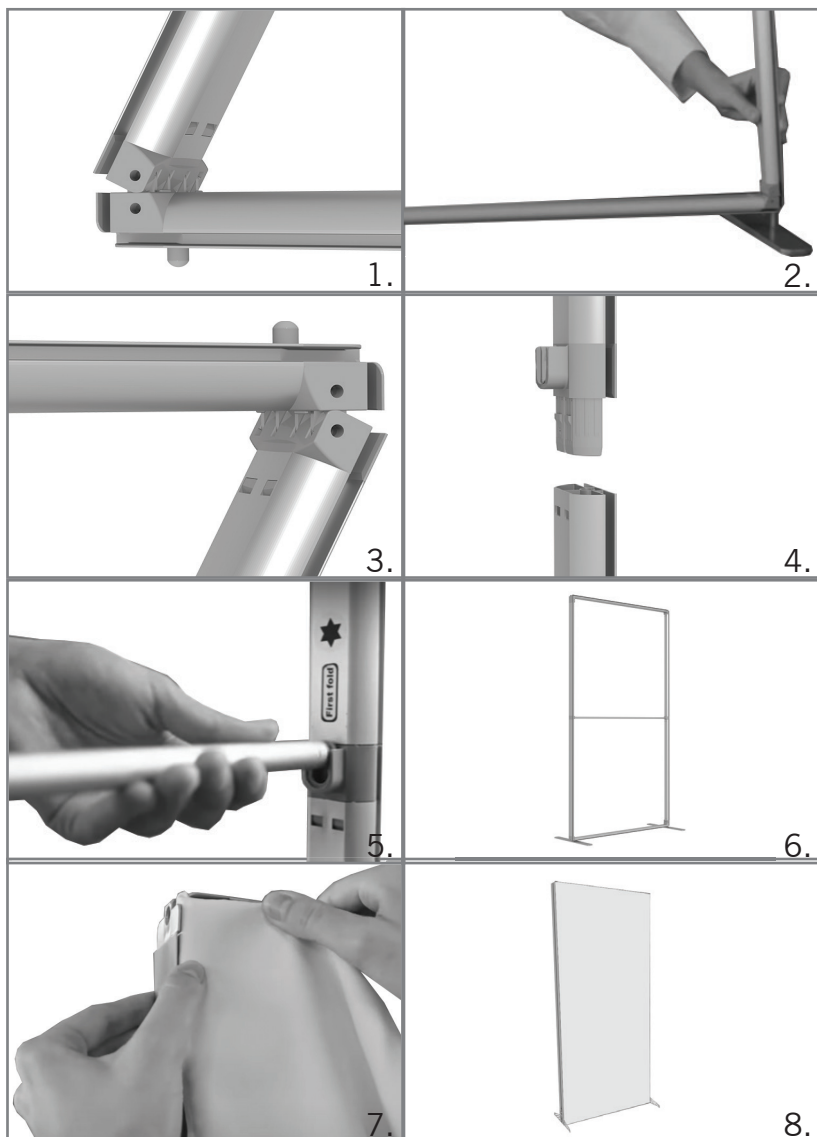
## ASSEMBLY HARDWARE



- A. PADDED CARRYING CASE
- B. SEG FRAME
- C. MIDDLE FRAME BAR
- D. FEET
- E. MIDDLE SUPPORT POLE



## FRAME ASSEMBLY AND PRINT ATTACHMENT



**NOTE:** ADDITIONAL PEOPLE MAY BE REQUIRED FOR LARGER DISPLAYS

### ASSEMBLY

1. Pull the frame out of the carrying case and lay each piece out. Then take one of the frame pieces and open it up.
2. Line the holes on the bottom of the frame up with the feet and push down.
3. Next take the other closed frame and open it up.
4. Add the middle frame bar (you don't need to add this piece if you are buying the 3' wide x 6' high frame) to the bottom frame and then place the top of the frame on the middle frame bar.
5. Once the frame is completely together, install the middle support pole.
6. The frame will then be together. For larger frames, the support pole will come with a middle T section to connect all the middle poles.
7. Install the print by inserting the silicone edging into the grooves of the frame.
8. Your Modular SEG Display is ready to use!